

OERLICON VRLA BATTERIES

Oerlicon Stationary Batteries Ltd.



Dimensions of Compact-Power cells and monoblocs 12V, 4V, 6V - series

Part	Type	Cap.*	Cap.†	Dimensions			Weight	Intercell	Design
#		C ₁₀	C ₈	L	W	H**		spacing	# link
		Ah	Ah	mm	mm	mm	kg	mm	

Compact-Power Rackline™ 12 V monoblocs,

66300025	12CP25	25	25	275	100	192	12.0	10	10
66300050	12CP50	50	50	275	100	295	23.0	10	12
66319080	12CP80	80	80	392	105	265	35.0	10	14
66300100	12CP100	92	92	558	125	230	41.0	10	11
66319100	12CP100/19	100	100	392	105	320	41.0	10	15
66300150	12CP150	150	150	558	125	323	63.0	10	13

Compact-Power Blocline™ 12 V monoblocs,

66070026	12CP26	26	26	234	178	221	16.5	10	1
66070039	12CP39	39	39	234	178	221	21.5	10	1
66080052	12CP52	52	52	357	178	221	28.5	10	2
66080065	12CP65	65	66	357	178	221	33.0	10	2

Compact-Power Blocline™ 6 V monoblocs

63010060	6CP60	60	60	205	177	286	19.0	10	3
63010080	6CP80	80	80	205	177	286	23.0	10	3
63010100	6CP100	100	100	205	177	286	27.0	10	3
63020115	6CP115	115	115	282	177	286	32.0	10	4
63020135	6CP135	135	135	282	177	286	35.5	10	4
63020155	6CP155	155	155	282	177	286	39.0	10	4

Compact-Power Blocline™ 4 V monoblocs

62020185	4CP185	185	184	282	177	286	32.0	9	5
62020205	4CP205	206	206	282	177	286	35.0	9	5
62020225	4CP225	225	226	282	177	286	38.0	9	5

* Capacity at 20°C (68°F) C₁₀ to 1.80 Vpc

† Capacity at 25°C (77°F) C₈ to 1.75 Vpc

** Maximum heights given above connectors, lid or handles whichever is the highest

Dimensions of Compact-Power cells and monoblocs 2V - series

Compact-Power Blocline™ 2 V cells

61010180	2CP180	181	186	205	177	286	18.5	10	3
61010240	2CP240	241	248	205	177	286	22.0	10	3
61010300	2CP300	301	312	205	177	286	26.5	10	3
61020345	2CP345	345	358	282	177	286	31.0	10	4
61020405	2CP405	406	419	282	177	286	35.5	10	4
61020465	2CP465	467	481	282	177	286	39.5	10	4

Compact-Power Towerline™ 2 V cells

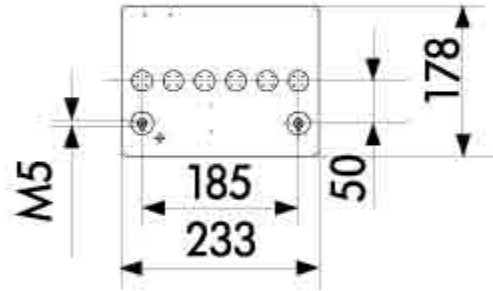
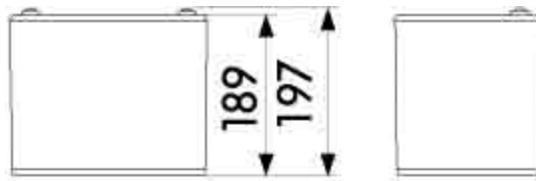
61230450	2CP450	452	460	124	206	512	34.0	11	6
61240550	2CP550	552	559	206	145	512	42.5	12	7
61250650	2CP650	653	661	206	166	512	49.0	12	8
61260800	2CP800	804	817	210	254	512	61.0	8	9
61260900	2CP900	905	914	210	254	512	67.0	8	9
61261000	2CP1000	1010	1018	210	254	512	74.0	8	9
61261200	2CP1200	1207	1222	275	210	687	89.0	8	16
61261400	2CP1400	1408	1426	275	210	687	102.0	8	16
61261600	2CP1600	1609	1629	275	210	687	116.0	8	16

* Capacity at 20°C (68°F) C₁₀ to 1.80 Vpc

+ Capacity at 25°C (77°F) C₈ to 1.75 Vpc

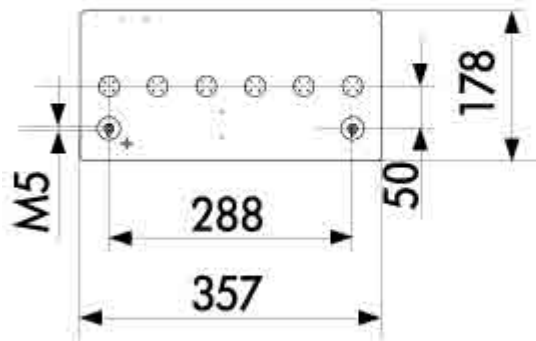
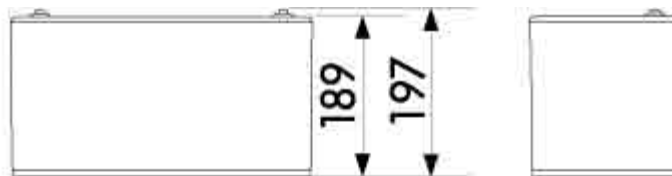
** Maximum heights given above connectors, lid or handles whichever is the highest

TYPE #1



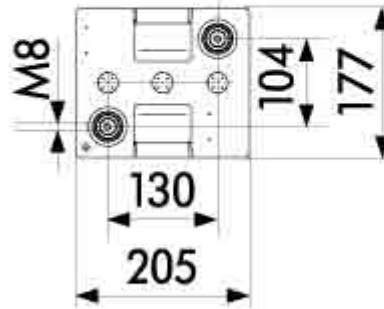
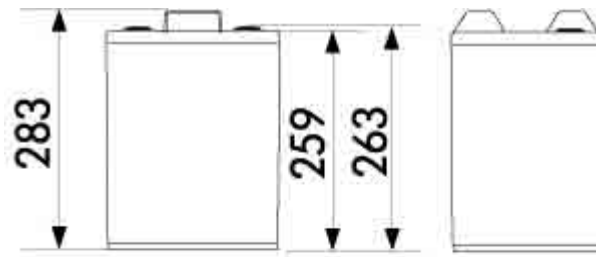
12CP26...39

TYPE #2



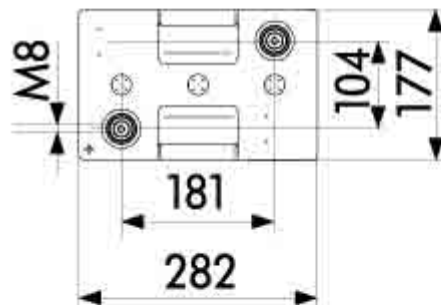
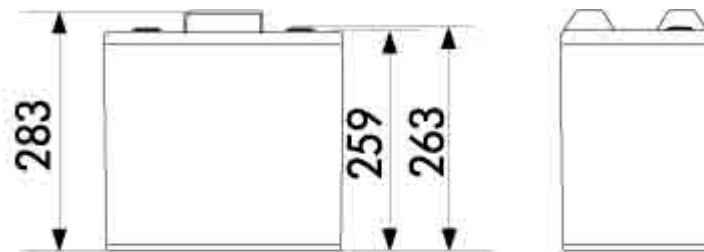
12CP52...65

TYPE #3



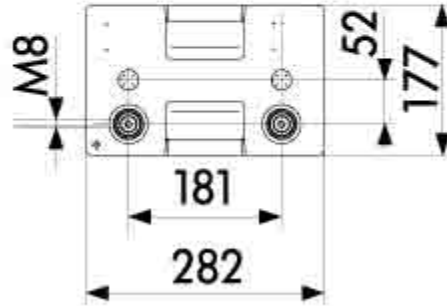
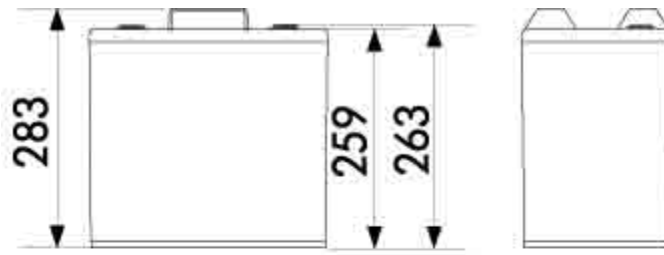
6CP60...100
2CP180...300

TYPE #4



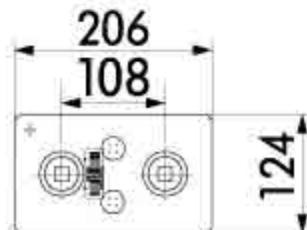
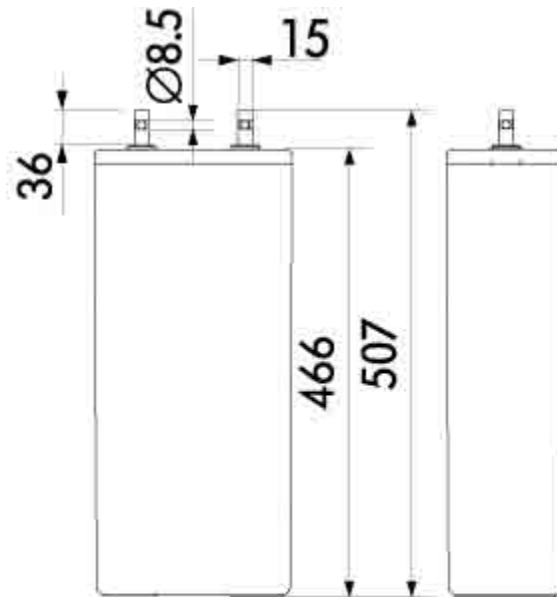
6CP115...155
2CP345...465

TYPE #5



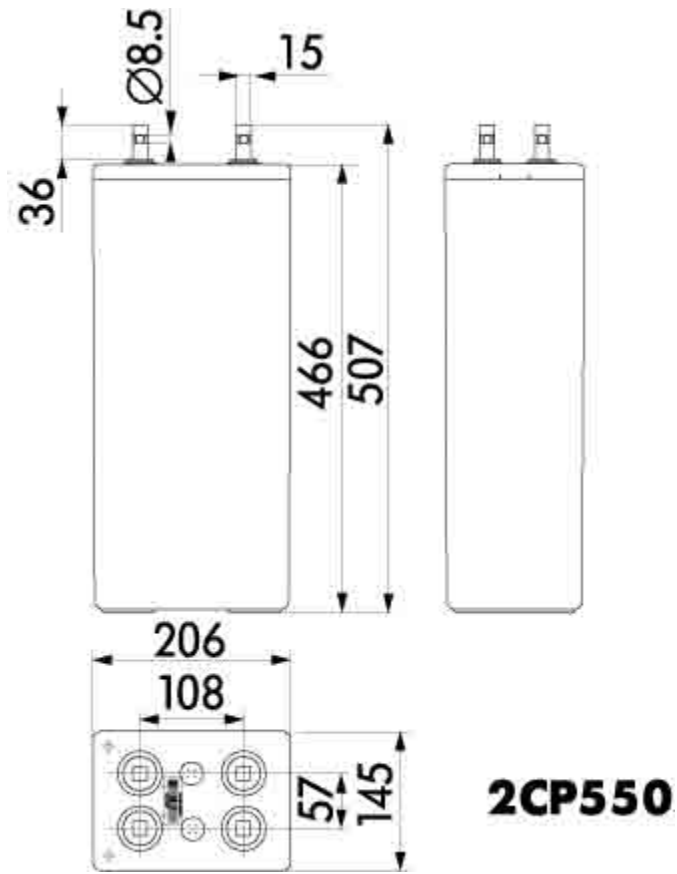
4CP185...225

TYPE #6

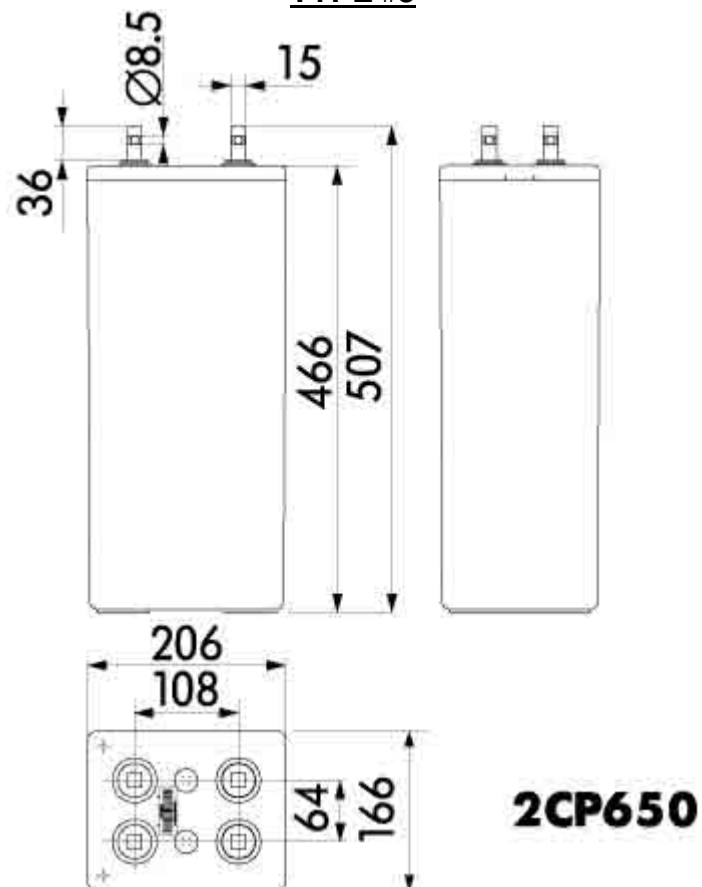


2CP450

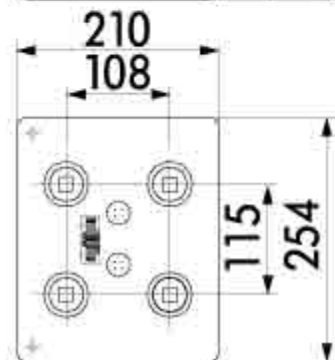
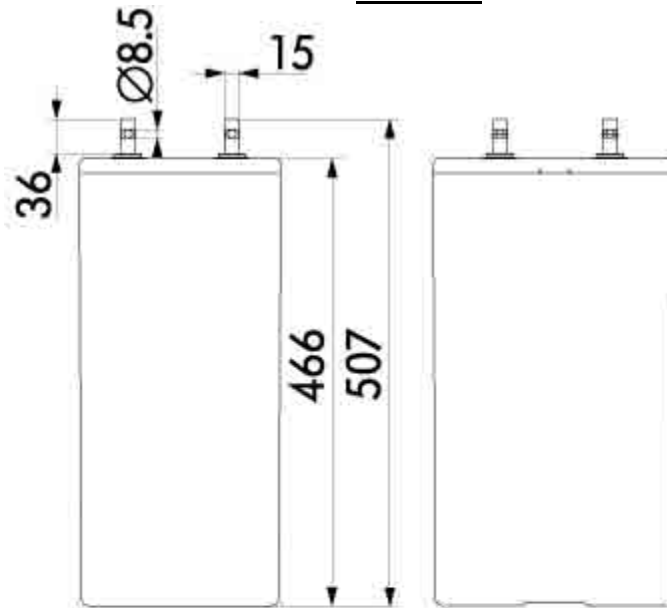
TYPE #7



TYPE #8

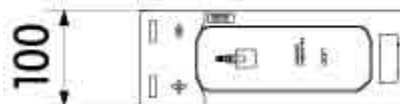
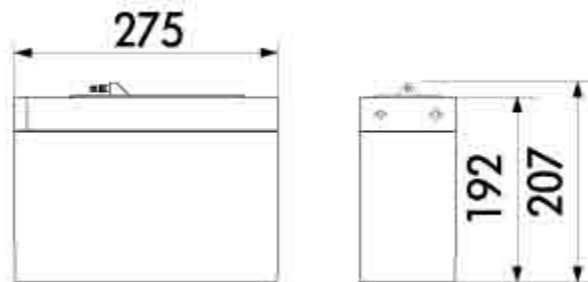


TYPE #9



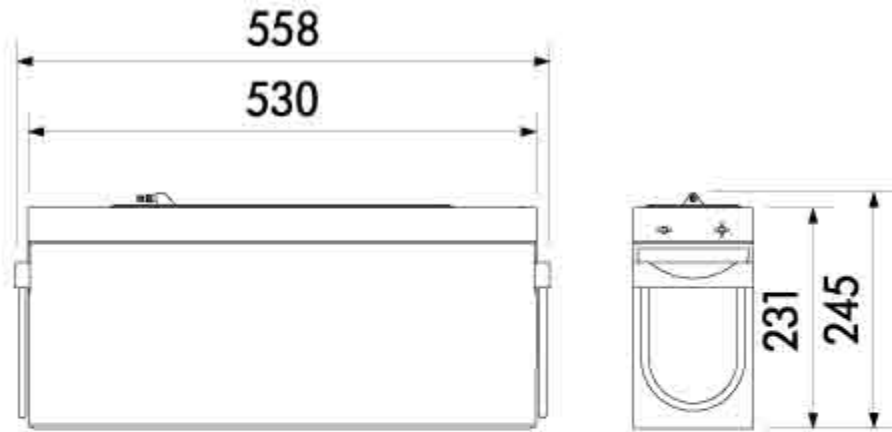
2CP800...1000

TYPE #10



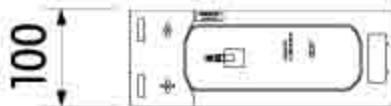
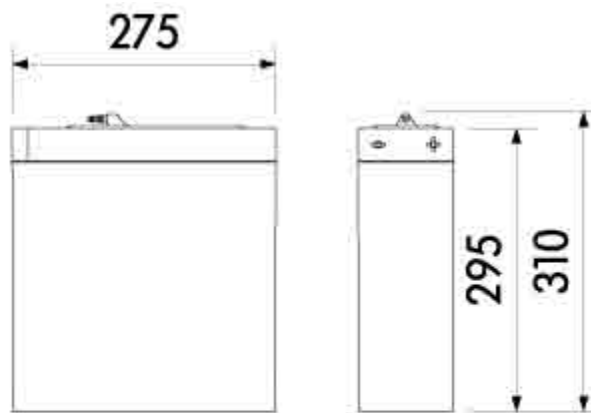
12CP25

TYPE #11



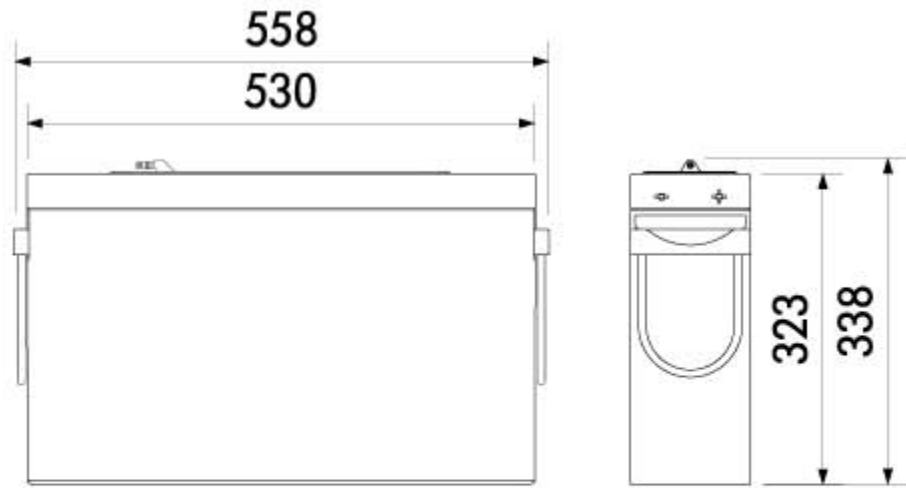
12CP100

TYPE #12



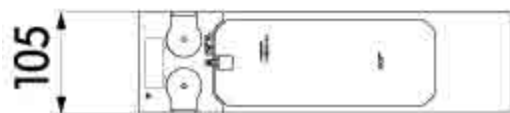
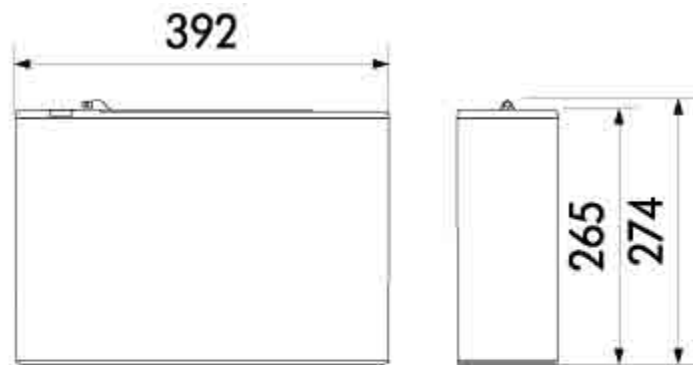
12CP50

TYPE #13



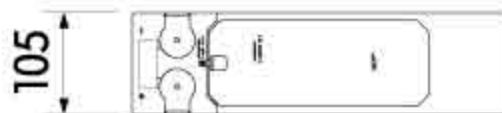
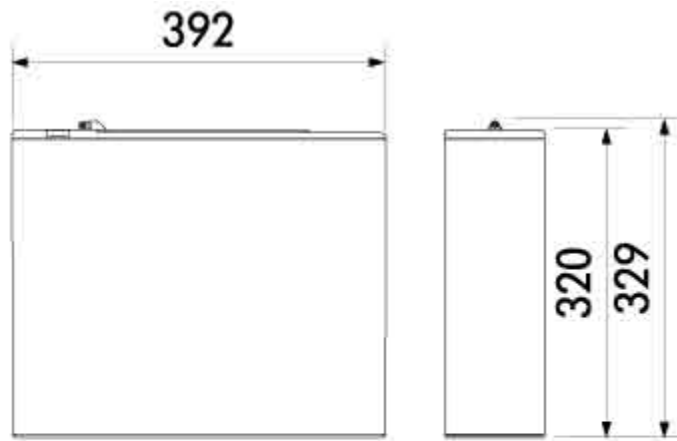
12CP150

TYPE #14



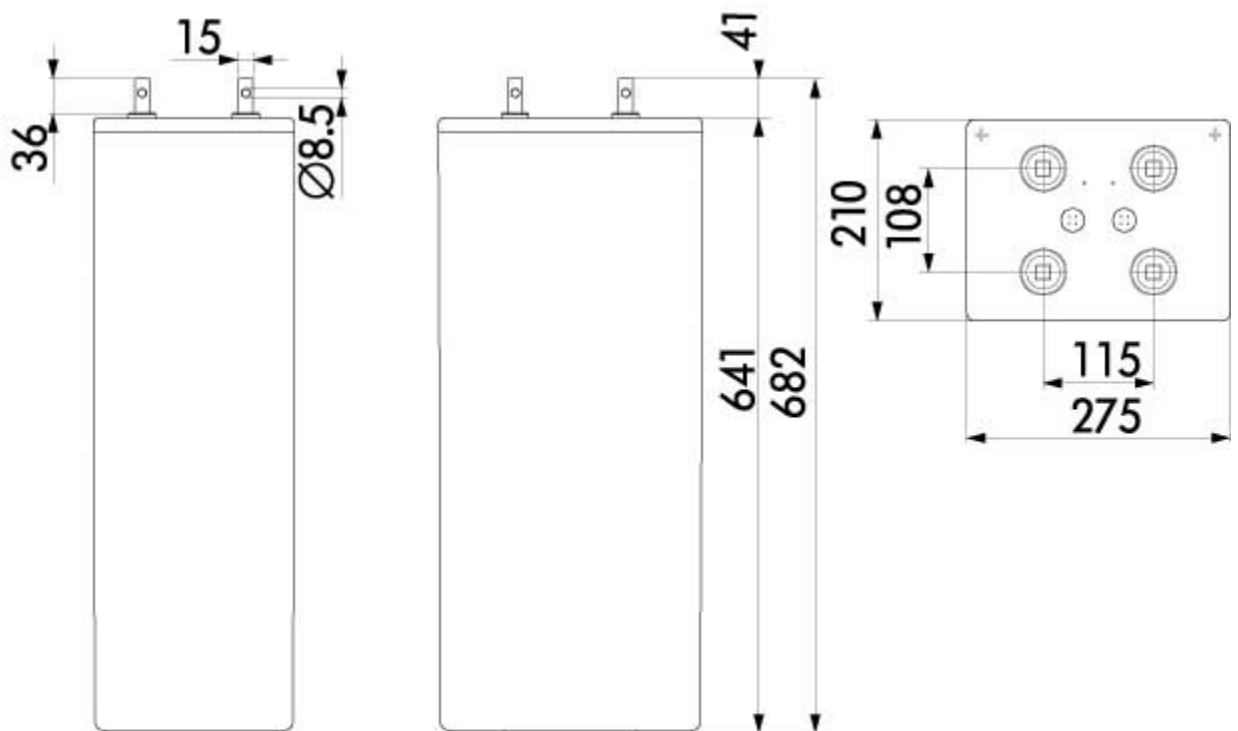
12CP80

TYPE #15



12CP100/19

TYPE #16



2CP1200...2CP1600