

**POWER**   
Power for a World of Applications

**HIGH-RATE** *Series*

**PRC-1290S**

**TC-1290S**



(VRLA)



(AGM)



10

99%.

99.7%.

100%

TC-1290S

UL 1778;  
28%.

DOT - CFR

49,

171-189.

IMDG

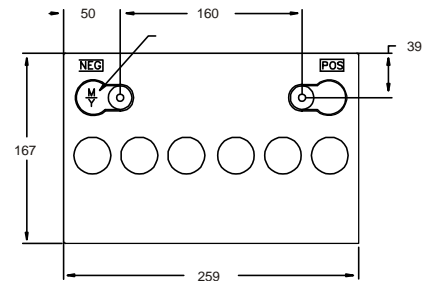
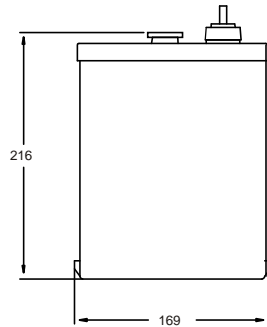
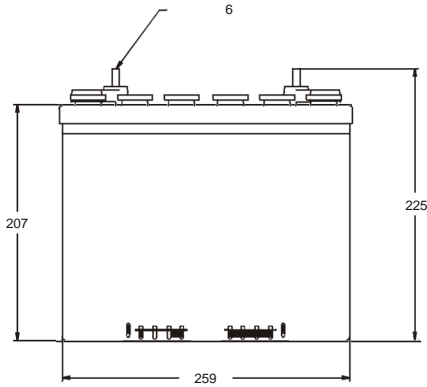
27.

IATA/ ICAO,

A67.

	6	
	12	
	6	
	500	
	3209	
	4.30	25°C
	27.5	
	1.300	
25°	75.8 (20 )	
1.75	68.6 (8 )	
	+20°	+25°
	: -40°	+60°
	: -40°	+50°
	13.5	13.8 25°
	C/4	100%
	1.5%	
	6	25°

25°										
	5	10	15	20	30	40	45	50	60	90
1.60	3007	2230	1721	1408	1043	837	771	705	574	418
1.67	2904	2188	1701	1395	1036	831	766	702	571	417
1.70	2860	2172	1691	1387	1031	829	765	701	570	414
1.75	2711	2045	1630	1360	1022	822	758	694	565	413



POWER BATTERY



CR3

UL CUL.

PRC/TC-1290S					
KS5	4	381	635	400	131
KS6	5	406	876	451	172
KS7	10	406	876	946	344
CR1	12	610	826	1092	449
CR3	20	1016	826	1092	699
CR6	30	1016	826	1524	1027
CR4	40	1016	826	1956	1355

25°										
	1	2	3	4	5	6	8	10	12	24
1.75	47.6	27.7	20.1	15.8	13.0	11.1	8.58	7.00	5.98	3.22
1.80	46.9	27.5	19.9	15.5	12.8	10.9	8.48	6.96	5.92	3.18
1.85	45.1	26.6	19.2	15.0	12.4	10.6	8.20	6.73	5.72	3.07
1.90	41.5	24.9	18.1	14.2	11.7	9.90	7.66	6.21	5.23	2.84