



(VRLA)

(AGM)

10

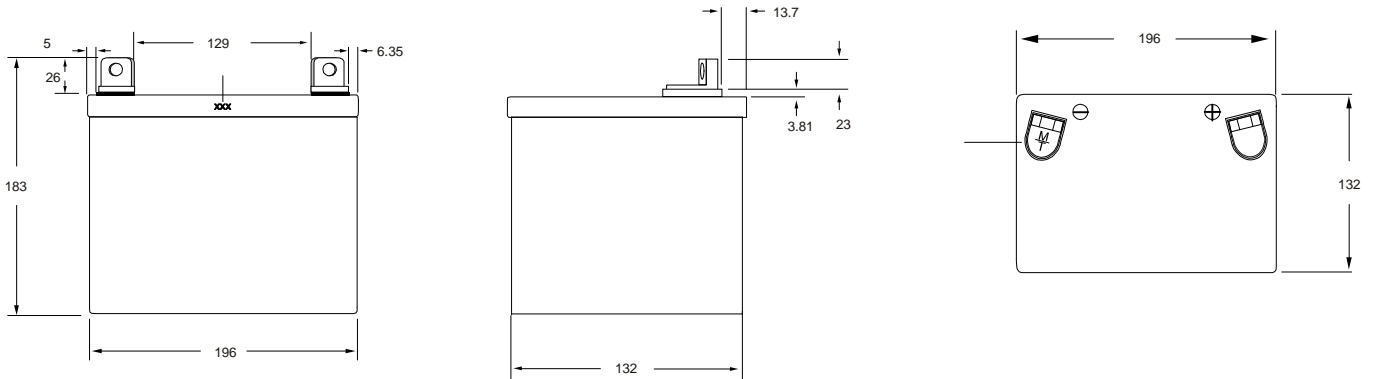
99%.
99.7%.
100%

	6
	12
	"L"
	245
	1883
	7.33 25°C
	12.1
	1.300
25° ,	32.2 (20)
1.75 -	29.2 (8)
	+20° +25°
	: -40° +60°
	: -40° +50°
	13.5 13.8 25°
	C/4 100%
	1.5%
	6 25°

TC-1235L
UL 1778;
28%.

DOT - CFR 49, 171-189.
IMDG 27.
IATA/ ICAO,
A67.

	25°									
	5	10	15	20	30	40	45	50	60	90
1.60	1519	960	722	582	428	343	316	289	252	184
1.67	1463	942	712	575	424	341	314	288	250	183
1.70	1417	935	709	573	423	340	313	287	250	182
1.75	1350	913	700	568	419	337	311	285	248	181



POWER BATTERY

UL CUL.



KS6

PRC/TC-1235L					
KS3	4	7.75	222	610	58.6
KS4	4	11.5	330	482	64.1
KS5	6	15.0	400	635	95.9
KS6	8	16.0	451	876	135
KS7	16	16.0	946	876	269.5
CR1	24	24.0	1092	826	420.4
CR3	36	40.0	1092	826	601.2

25°										
	1	2	3	4	5	6	8	10	12	24
1.75	20.3	11.8	8.50	6.70	5.50	4.70	3.60	2.98	2.55	1.37
1.80	20.0	11.7	8.40	6.60	5.40	4.60	3.60	2.97	2.52	1.36
1.85	19.2	11.4	8.20	6.40	5.20	4.50	3.50	2.87	2.44	1.31
1.90	17.7	10.6	7.60	6.00	4.90	4.20	3.20	2.65	2.23	1.21